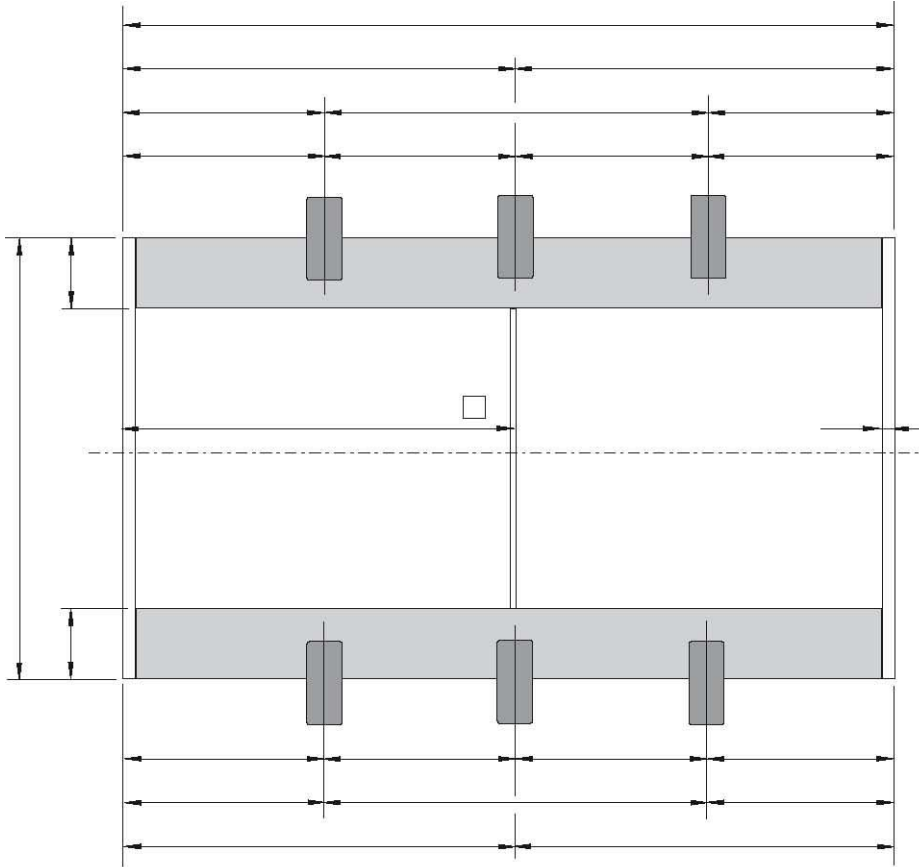
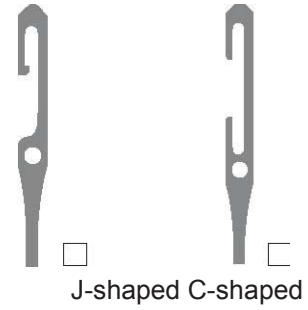


INQUIRY FOR RIDERLESS ANTATEX HEALD FRAMES

Note: this page is to be printed and faxed Fax +91 22 22842618 or email: innova.enterprise@uniquegroup.biz



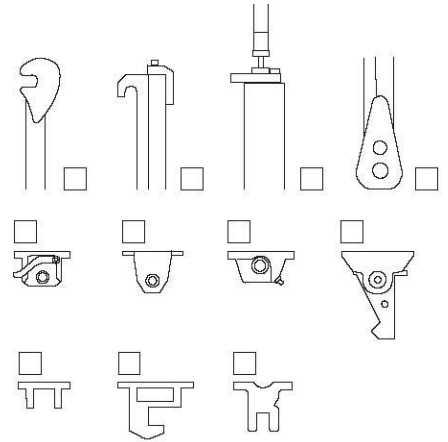
for healds with end loops



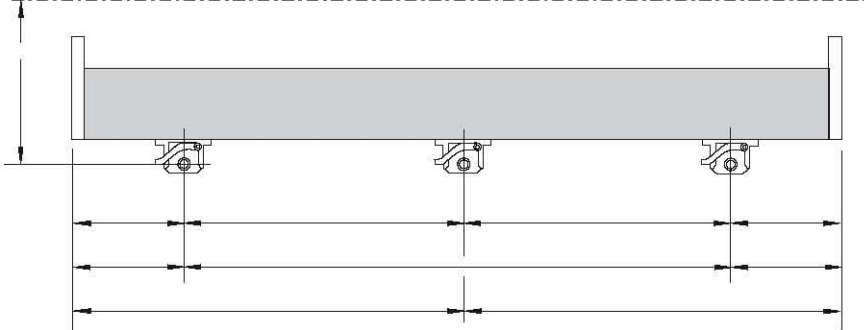
shape of lateral supports



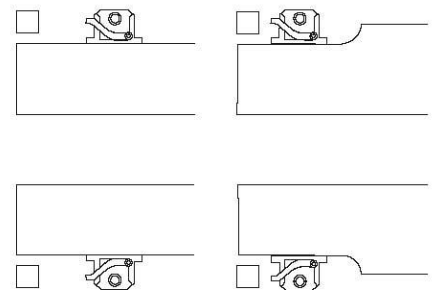
frame drive situation



center of heald frame



frame drive position



FOR WEAVING LOOMS: _____

REVELUTIONS PER MINUTE: _____

DISTANCE INSIDE END LOOPS: _____

CUSTOMER'S NAME: _____

AUTOMATIC DRAWING IN(kindy tick):

1. STAUBLI()

2. SUPER VEGA()

QUANTITY REQUIRED - _____